

Stealth Acoustics

The End of Esthetic Pollution

Backbox Assembly Details Typical for F6, F8 and B1630

Model Numbers:
F6BX, F8BX, B1630BX

Recommended Applications:

We recommend using this backbox on installations where the space behind the drywall is open. This typically occurs on ceiling installations where the space above is attic or above gas fireplaces where the wall has been built out to receive the fireplace. This product is also useful on installations where sound transfer from one floor to the next is of concern.

Construction:

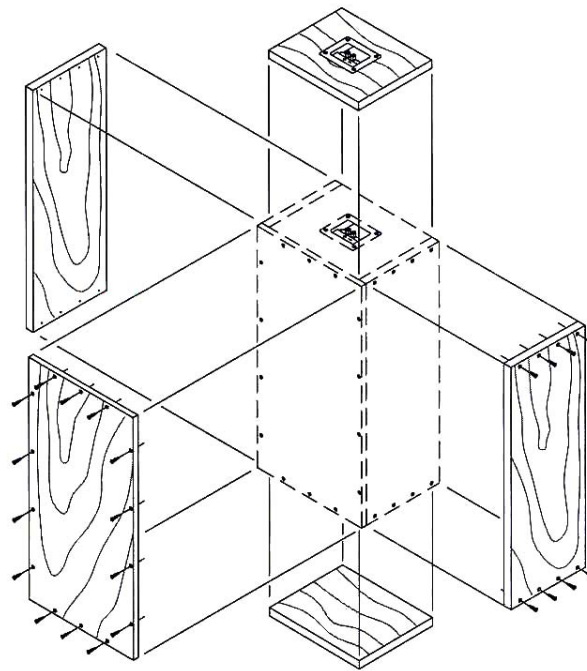
This backbox is built from high quality birch plywood and shipped disassembled. Assembly is simple and should take only 5 to 10 minutes with the aid of a power screwdriver. The parts are predrilled and the screws are included. A terminal cup with speaker wire pigtails allow the backbox to be completely assembled and attached to the speaker before the speaker is installed. A piece of fiberglass insulation for the interior of the box is also included.

Dimensions:

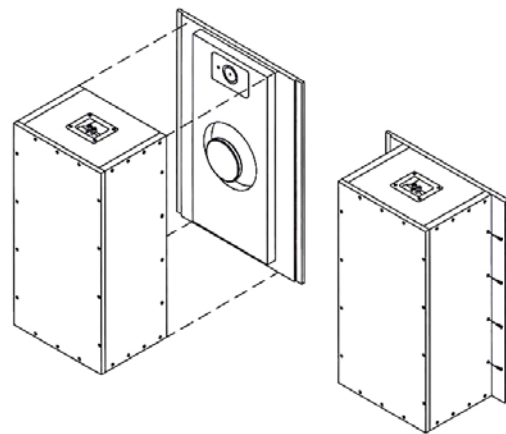
F6BX: 14" long, 9-3/4" wide, 8-3/8" deep

F8BX: 21-7/8" long, 10-15/16" wide,
8-3/8" deep

B1630BX: 29-7/8" long, 10-15/16" wide,



Assemble as shown above.



Attach to speaker as shown above.

Installation Note:

Use Stealth PlaceSavers to secure the location of the speakers at the rough-in stage of installation. The Stealth backboxes should go in with the speakers after the drywall has been hung but before taping begins.

Stealth Acoustics

Totally Invisible Audio Solutions