

# STEALTH

# MBA

ADJUSTABLE WIDTH  
METAL BACK BOX

## ADJUSTABLE WIDTH METAL BACK BOXES - UL LISTED



Included steel brackets attach to sides for use with metal framing.

### Application Details - Installation Notes:

The MBA series back boxes are recommended for installations where the space behind the speaker is open or where a metal enclosure is required and the mounting distance between the framing members is less than 16" on center. The MBA series is also recommended when using metal studs or hat channel/suspended hard lid ceilings. The versatile MBA series are the next step in the evolution of our UL listed back box line and are built to adapt to whatever you have to work with on the jobsite.

### Wood Framing Installations

The MBA back boxes are adjustable from the standard 14½" openings down to 9¾" openings. It is recommended that the larger of the two halves of the back box be installed first by screwing it directly to the stud, placing the screws through the inside of the box and into the wood. Take care to keep the front edge of the box flush with the front edge of the stud. Slip the second (and smaller) of the MBA halves into the first and slid it tight to the opposite stud and screw into place. Once the two halves are securely attached to the framing, screw the two halves together at the overlapping top and bottom with the self tapping screws provided. Only 4 screws will be required to secure the two halves together. Do not put any screws through the back of the box. Place the Dynil® pad over the center seam on the back of the box, then add the insulation to cover the back surface of the MBA allowing enough depth for the speaker.

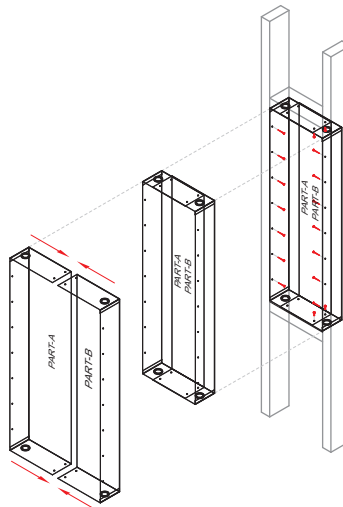
### Additional Blocking May Be Required

When installing Stealth speakers in wood framing that is less than 16" OC, additional blocking will be required to support the mounting edges of the speaker on each side. Do not allow the mounting edges to float in space. Attach additional 2 × 4 material to the existing studs to provide a solid surface for the mounting point where the Stealth speaker meets the wall board.

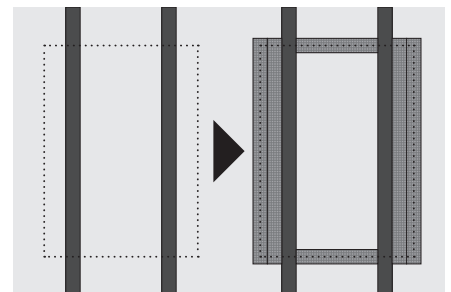
Model:	For Speakers:
MBA-30	LR430, LR30W, LRX-85-LF
MBA-24	LR112, LR116, LR224, LR224S, LR324, LR24W, LR6G, LRX-85-HM



Compatible with studs less than 16" on center.



Wood stud configuration.  
Add framing above and below.



Support all speaker edges with additional blocking.

Must install  
Place Saver™  
to ensure proper  
rough opening.



## Metal Stud Installations

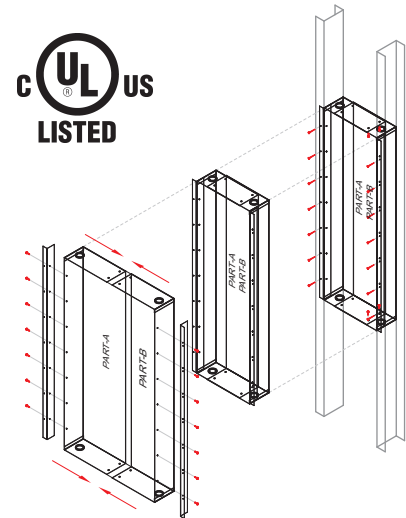
Metal studs do not provide a solid surface for mounting the back box especially when having to use the open side of the C - channel frame member. In this case mount the provided metal angles to the sides of the box with the short side ( $\frac{3}{4}$ " ) flush with the front edge of the box. Hold the box in place by placing screws through the Place Savers™, metal mounting angles, and into the face of the metal stud. The Stealth speaker itself will eventually secure the back box in place when the mounting screws are placed through the speaker, metal mounting angles and into the face of the metal studs. If the metal studs provide a solid place to attach the back box, use the pre-drilled holes near the leading edge of the back box, and secure box to studs from the inside.

### $\frac{3}{4}$ " × $1\frac{1}{4}$ " Metal Mounting Angles (Included)

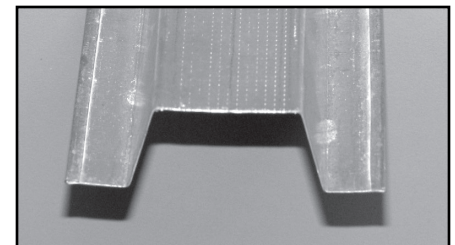
The MBA back boxes are shipped with four  $\frac{3}{4}$ " ×  $1\frac{1}{4}$ " metal mounting angles. These angles should be affixed to each side of the box by either the  $\frac{3}{4}$ " or the  $1\frac{1}{4}$ " edge depending on the type of framing in use. For metal studs attach the  $1\frac{1}{4}$ " side to the box. For hat channel attach the  $\frac{3}{4}$ " side to the box. The face of each angle should be mounted so that they are flush with the front edges of the back box. For installations in wood framing discard the angles and screw the box directly to the studs through the inside of the MBA.

## Hat Channel Installations - Suspended Hard Lid Ceilings

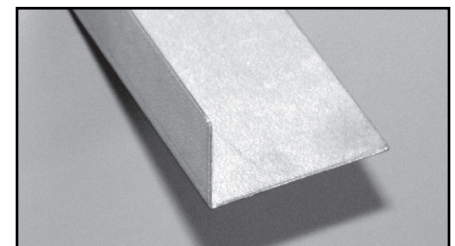
Even though hat channel installations are typically built with the track 16" OC the space between is less than  $14\frac{1}{2}$ ". With the MBA boxes you can size the width of the box down to fit between the channel track. Lay the two halves of the box on a flat surface and slip the smaller of the two parts into the larger one. Install the  $\frac{3}{4}$ " side of the metal mounting angles to the sides of the box halves with the  $1\frac{1}{2}$ " side flush with the front edge of the box. Slide the MBA together until the overall width of the box including the mounting angles is 16". Secure the two halves by screwing them together at the top and bottom using the self tapping screws (2 each end). Do not put any screws through the back of the box. Cover the seam in the back of the box with the Dynil® pad, centering the pad in the back of the MBA.



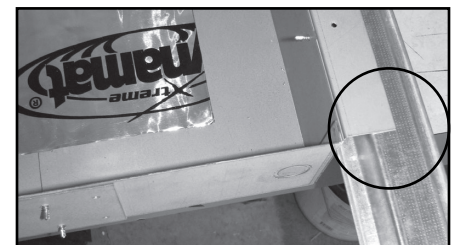
Metal stud / hat channel configuration



Hat Channel



Metal Angles



Use  $\frac{1}{2}$ " side of metal angle for solid mount on hat channel



Back box with  $1\frac{1}{2}$ " angles for hat channel attached



Back box with  $\frac{3}{4}$ " angles for metal studs attached