

STEALTH

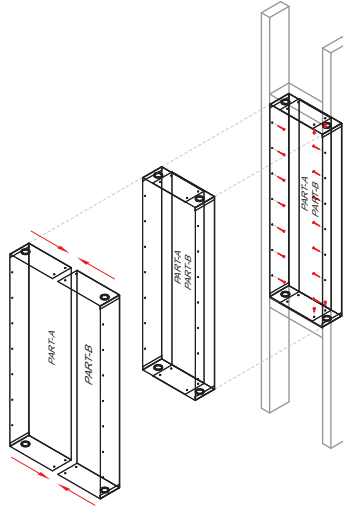
MBA

ADJUSTABLE WIDTH
METAL BACK BOX

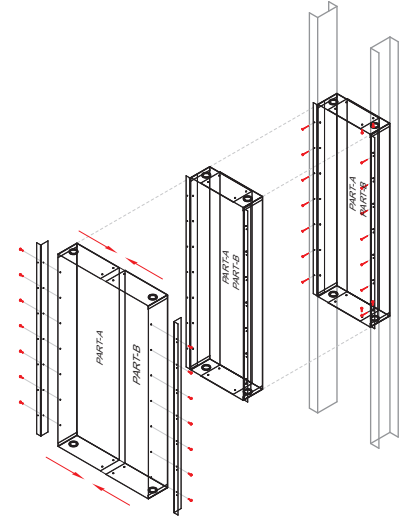
ADJUSTABLE METAL BACK - UL LISTED



Included steel brackets attach to sides for use with metal framing.



Wood stud configuration.
Add framing above and below.



Metal stud / hat channel configuration



Must install
Place Saver™
to ensure proper
rough opening.

Recommended Applications:

The versatile, UL listed MBA back boxes are built to adapt to whatever you have to work with on the job site. MBA back boxes are recommended for installations:

1. Where the space behind the speaker is open;
2. Where a metal closure is required and the mounting distance between the framing members is less than 16" (406 mm) on center;
3. When using metal studs or hat channel/suspended hard lid ceilings.

Construction:

Constructed of 1.1 mm thick metal, the MBA series back boxes are shipped unassembled, ready for your custom configuration needs and UL listed. Convenient 1/2" (13 mm) and 3/4" (19 mm) knockouts for conduit are provided.

Included Accessories:

Screw package, 3/4" (19 mm) x 1 1/2" (38 mm) metal mounting angles, insulation, and adhesive Dynil® mat.

Architectural and Engineering Specifications:

The adjustable metal back box shall be constructed of 1.1 mm steel. UL listed and plenum rated, the MBA back boxes are code

compliant. The MBA series is for use with wood, metal, or hat channel framing. The back box shall adjust from 9 3/4" (247 mm) wide to 14 1/2" (368 mm) wide and be only 3 1/2" (89 mm) in depth. The MBA series shall include two metal angles for secure mounting into either metal or wood studs or hat channel. The back boxes shall also include all mounting screws, insulation, and one sheet of Dynil® to cover the center seam. The boxes will have both 1/2" (13 mm) and 3/4" (19 mm) knockouts for wire passage.

Installation Notes:

The back box interior should be insulated before speakers are installed: Adhere the included adhesive backed- Dynil® covering the MBA back seam and then insert the insulation.

Dimensions:

Model:	MBA-30	MBA-24
Use With:	LR430, LR30W, LRX-85-LF	LR112, LR116, LR224, LR224S, LR324, LR24W, LR6G, LRX-85-HM
Width:	9 3/4" to 14 1/2" (247-368 mm)	9 3/4" to 14 1/2" (247-368 mm)
Height:	28 1/2" (724 mm)	22 1/2" (572 mm)
Depth:	3 1/2" (89 mm)	3 1/2" (89 mm)
Ship Wt:	13 lbs. (5.9 kg)	12 lbs. (5.4 kg)