

# STEALTH



## 8" 2-WAY UNDER EAVE OUTDOOR SPEAKER



### Recommended Applications:

- Outdoor Audio Systems
- Foreground Music
- Background Music
- Voice Paging
- Sound Masking Systems

### Recommended Installations:

Flush mounted in eaves constructed of wood or steel framing with ½" (13 mm) or thicker siding. Minimum 4" (102 mm) internal cavity depth required.

### Performance:

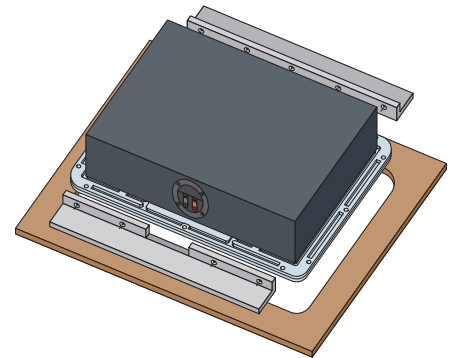
- 160 Watts RMS
- 45Hz to 18kHz (see Figure 1)
- 80W Minimum recommended power

### Protection:

Two independent self-resetting circuits (low and high-frequency).

### On-Site Finish Options:

Finish options include latex paint, flat finish, orange peel texture, light plaster, wood veneer, and other selected approved finishes.



The Stealth Acoustics StingRay 8 Soffit Speaker is a full-range, high-fidelity, 8" two-way outdoor speaker utilizing a sealed-front radiator technology with no grill or other openings that becomes completely invisible after installation. The speaker features Stealth's proprietary FidelityGlass™ radiating surface made from extremely durable and impenetrable glass fiber that resists elements like salt water, sunlight or harsh temperatures, while providing full and natural sound for music or speech applications.

The StingRay 8 Soffit Speaker offers powerful advantages over traditional outdoor soffit loudspeakers. The speaker is impervious to the elements, installs invisibly, and has no grille which might rust or allow dust or moisture to enter the device. These advantages make it perfect

for outdoor under-eave applications where wide coverage, full range sound, clean aesthetics, and environmental durability are required.

Offering near-hemispherical radiation throughout its full range of sound, the Stealth Acoustics StingRay 8 Soffit Speaker incorporates an acoustically coupled, high-power, 8" cone woofer and a direct coupled 30 mm neo-magnet high-frequency driver providing smooth response from 45Hz to 18 kHz. The speaker contains two independent self-resetting protection circuits (high-frequency and low-frequency sections) to protect it from excessive amplifier power.

The included router template is used for cutting a precise opening for speaker installation. Then, the mounting hardware is attached and the speakers is secured

in place. After testing and seam finishing, the Soffit Speaker is designed be primed, painted, and finished into the surrounding soffit for a completely invisible installation.

The Soffit Speaker Kit includes (1) Soffit Speaker in matte white finish, (1) router template guide, and (2) angle brackets with screws.

All Stealth Acoustics speakers are covered by a 17 year manufacturer's warranty.

## Architectural & Engineering Specifications

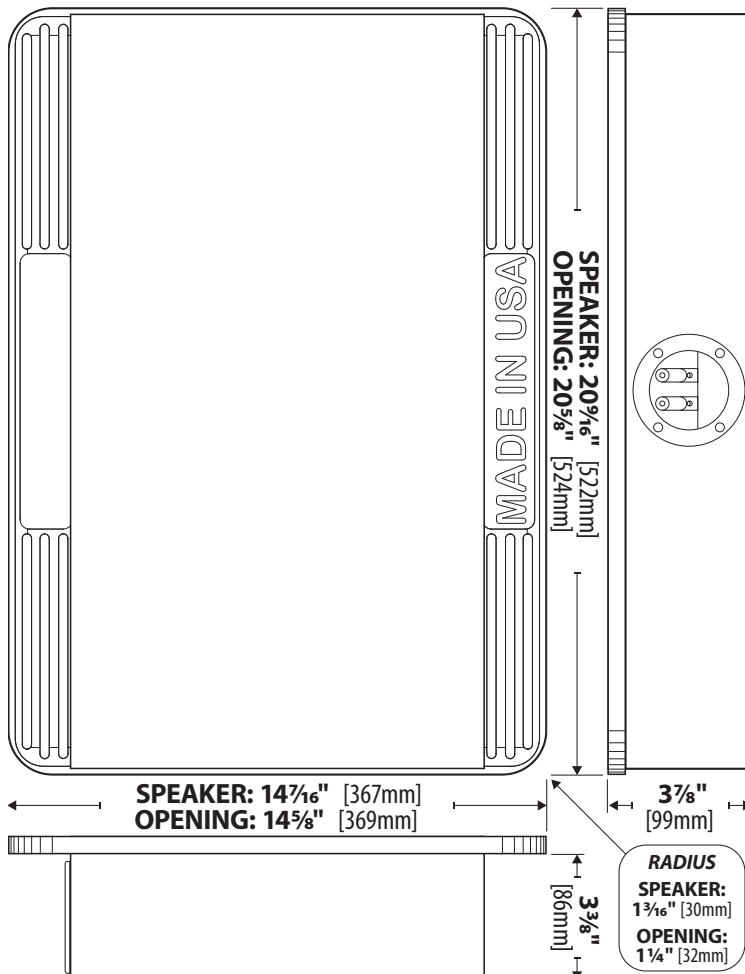
The outdoor loudspeaker shall be a two-way, full-range device, reproducing frequencies from 45Hz to 18kHz, without the use of external filters or equalizers. The loudspeaker shall incorporate an impenetrable sealed-front radiating panel with a minimum radiating surface area of 228 sq. in (1,471 sq. cm).

Dispersion shall be a nominal 170 degrees in both horizontal and vertical planes across the entire frequency operating range. The loudspeaker system shall incorporate an acoustically coupled, low profile, high-power 8" (203 mm) cone woofer and a direct coupled 1½" (30 mm) neo-magnet high-frequency driver. The loudspeaker shall have a minimum sensitivity of 83 dB, 1 watt / 1 meter, with a power-handling capacity of 160 watts RMS according to EIA standard RS-426-A.

The loudspeaker shall have two independent self-resetting protection devices, one each for the high-frequency driver and the low-frequency driver. The loudspeaker shall measure 14 7/16" (367 mm) x 20 9/16" (522 mm) x 3 3/8" (99 mm) and shall be capable of mounting in eaves, ceilings or walls.

The Soffit Kit shall include the speaker in factory standard matte white finish, router template, and angle bracket hardware with screws to attach the bracket to the speaker.

The loudspeaker shall be the Stealth Acoustics model SR8-SK. The loudspeaker shall carry a 17 year manufacturer's warranty.



## Product Specifications

### Frequency Response:

45Hz to 18kHz (see Figure 1)

### Power Capacity:

160 watts RMS  
80 watts minimum recommended power

### Protection:

Two independent self-resetting devices  
(low and high frequency)

### Sensitivity:

83 dB (1 watt / 1 meter)

### Driver Components:

High frequency: 1½" (30 mm) neodymium driver  
Low-frequency: 1½" (38 mm) voice coil 8" (203 mm) woofer,  
20 oz. (567 gr) ceramic magnet

### System Impedance:

8Ω nominal

### Polar Dispersion:

170 degrees vertical and horizontal

### Dimensions:

Width: 14 7/16" (367 mm)  
Height: 20 9/16" (522 mm)  
Depth: 3 3/8" (99 mm)

### Temperature Range:

Capable of full operation between  
0°F (-17°C) to 150°F (60°C)

### Product Weight:

31 lbs. (14 kg) each

### Shipping Weight:

33 lbs. (15 kg) per single

### Included Accessories:

Router Template  
Mounting Brackets  
Mounting Screws

### Optional Accessories:

SA2400-MKII Stealth Acoustics High Current  
2-Channel Amplifier with DS

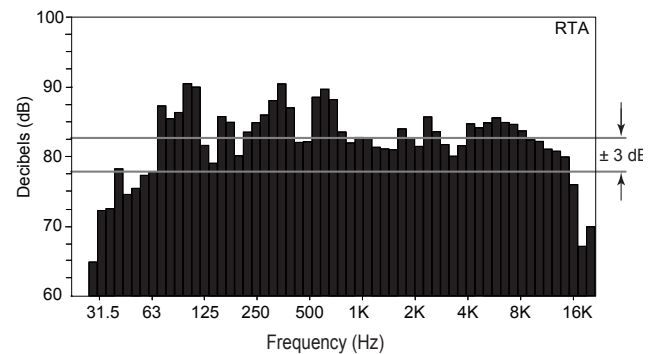


Figure 1: On-axis frequency response.