

FULL RANGE 6-ELEMENT PREMIUM 2 PANEL INVISIBLE SPEAKER SYSTEM

Recommended Applications:

- Home Theater / Surround Sound
- High End Multi-Room Audio System
- Multi-Room Audio Systems
- Foreground Music
- Background Music

Recommended Installations:

Flush mounted in walls or ceilings constructed of wood or steel framing with 1/2" (12.7 mm) or thicker gypsum wallboard. Minimum 2-3/4" (70 mm) cavity depth required.

Performance:

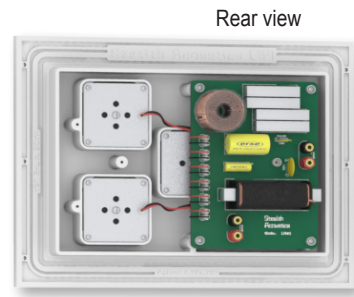
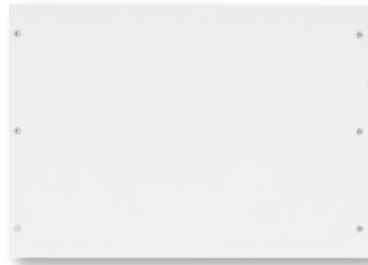
- 200 Watts RMS
- 45Hz to 20kHz (see Figure 1)
- 100W Minimum recommended power

Protection:

Two independent self-resetting circuits (low and high-frequency).

On-Site Finish Options:

Finish options include latex paint, flat finish, orange peel texture, light plaster, light wallpaper, light fabric, wood veneer, and other selected approved finishes.



LINEAR RESPONSE

INVISIBLE SPEAKERS

The Stealth Acoustics Model LR4G is a Planar-front, two panel system; 3-way passive, in-wall or in ceiling loudspeaker that becomes completely invisible after installation. The loudspeaker has a rigid frame that attaches directly to standard structural framing. The paintable active diaphragm face is bonded to the frame of the speaker panel, creating an active area surrounded by a stable mounting area. Installation instructions are shown on a paper overlay that is to be removed before installation. The overlay can also be used as a cutting template for retrofitting the speakers into existing wallboard.

The LR4G may be installed in either the wall or ceiling and on-site finishing options include latex paint, light wallpaper, fabrics and selected texture coats. There is no need for non-standard wallboard finishing materials. Advanced finishing methods may be supported using special techniques.

The Stealth Acoustics LR4G is designed to work in conjunction with the LR4G-B22G low frequency panel (included) to complete its full-range capabilities. The LR4G incorporates four direct-to-panel neodymium midrange motors and one direct-to-panel neodymium high-frequency motor aligned in the Stealth Quad-Balanced Midrange Drive™ configuration. Advanced internal materials allow for smooth frequency extension to 20 kHz. When the LR4G is installed in the recommended back boxes frequency response between 45 Hz & 20kHz can be achieved. The LR4G contains three independent protection circuits (low, mid-range and high frequency sections) that automatically reset upon reduction of excessive amplifier power.

For proper registration, each speaker must be installed so that the surface of the **perimeter edge is flush** with the adjoining wallboard. When correctly in

place, the surface of the speaker **face panel extends above** the height of the wallboard by 1/16" (1.6 mm). This is done to allow space for the tape and joint compound needed to blend the panel into the wall. Shims are included to allow for mounting in wallboard thicker than 1/2" (12.7 mm).

Stealth Acoustics' invisibility offers a powerful advantage over traditional loudspeakers because they can be placed wherever they sound best, free of visual concerns that may conflict with architectural features. Accompanying the full range panels, Stealth Acoustics offers the B22G and the B30G – completely invisible companion subwoofers for extended low frequency response.

All Stealth Acoustics products are covered by a 5 year manufacturer's warranty as well as an optional 15 year extended warranty.

Architectural & Engineering Specifications

The loudspeaker shall be a separated two-panel, three-way, full-range device, producing frequencies from 45Hz to 20kHz. The total radiating surface shall be 544 sq. in (3509 sq.cm) and high frequency dispersion shall be a nominal 170 degrees in both horizontal and vertical planes. The loudspeaker system shall have a sensitivity of 83 dB, 1 watt / 1 meter, with a capacity of 200 watts RMS according to EIA standard RS-426-A. The loudspeaker shall have three independent self-resetting protection devices, one each for the high-frequency, midrange, and low-frequency drivers.

The loudspeaker shall fit into walls or ceilings with standard wood or steel stud construction and a minimum 2-3/4" (70 mm) depth cavity. The loudspeaker shall mount directly to the structural framing and have the capability of seamlessly adjoining 1/2" (12.7 mm) or thicker gypsum wallboard. The minimum distance between framing members shall be 9-1/2" (241 mm). Face panel finishing methods shall be consistent with normal gypsum wallboard finishing techniques and may include latex paint, light wallpaper, light fabric and other selected approved finishes.

The loudspeaker shall be the Stealth Acoustics Model LR4G and shall carry a 5 year manufacturer's warranty.

Product Specifications

Frequency Response:

45Hz to 20kHz (see Figure 1)

Power Capacity:

200 watts RMS

100 watts minimum recommended power

Protection:

Three independent self-resetting devices (low and mid-range and high frequency)

Sensitivity:

83 dB (1 watt / 1 meter)

Driver Components:

High frequency: 1" (25 mm) neodymium motor

Midrange frequency: Four 1" (30 mm) neodymium motors

Low-frequency: Single 1.5" (38 mm) voice coil, 8" (203 mm) woofer and ceramic 20 oz. (622 gr) magnet

Crossover:

Passive 3-Way @ 500Hz and 3kHz (asymmetrical)

System Impedance:

8Ω nominal

Polar Dispersion:

170 degrees vertical and horizontal

Dimensions LR4g-HM (High-Mid Panel only):

Width: 15-7/8" (403 mm)

Height: 12" (305 mm)

Mounting Depth: 2-3/4" (70 mm)

Dimensions LR4g-LF (Low Frequency Panel only):

Width: 15-7/8" (403 mm)

Height: 22" (559 mm)

Mounting Depth: 2-1/2" (64 mm)

Shipping Weight:

55 lbs. (25 kg) per pair (4 Panels)

Included Accessories:

Mounting shims

Mounting screws

Terminal wrench

Optional Accessories:

PS PlaceSaver™

MBX UL Listed Metal Back Box

MBA UL Listed Metal Back Box - Adjustable

MBC Concrete Back Box

SK-1 Shim Kit

CVXMR 100, 75 and 25 volt Constant Voltage Xfmr

WARRANTY Extended Warranty - 15 year

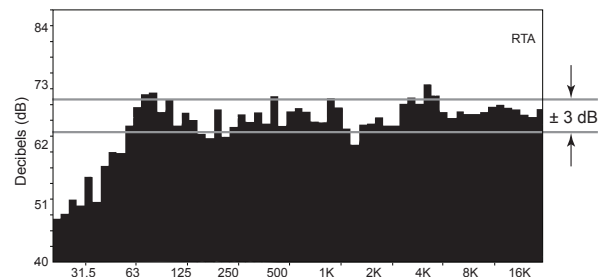
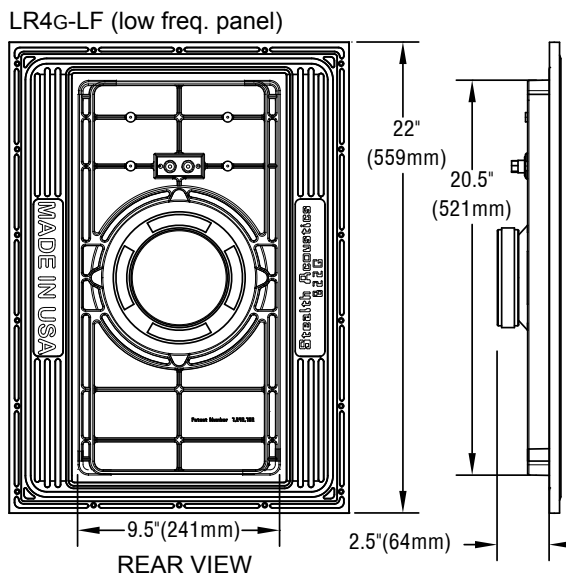
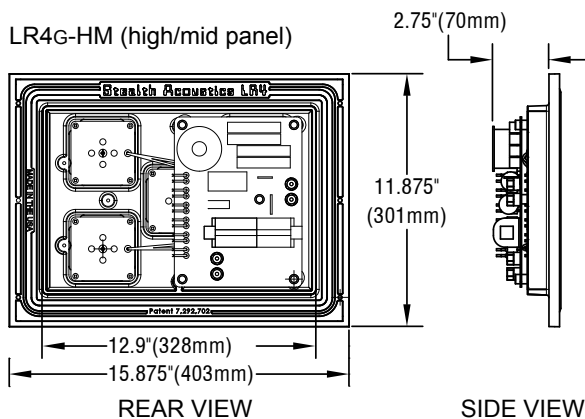


Figure 1: On-axis frequency response in standard stud wall with four coats of latex paint applied to the speaker face panel.