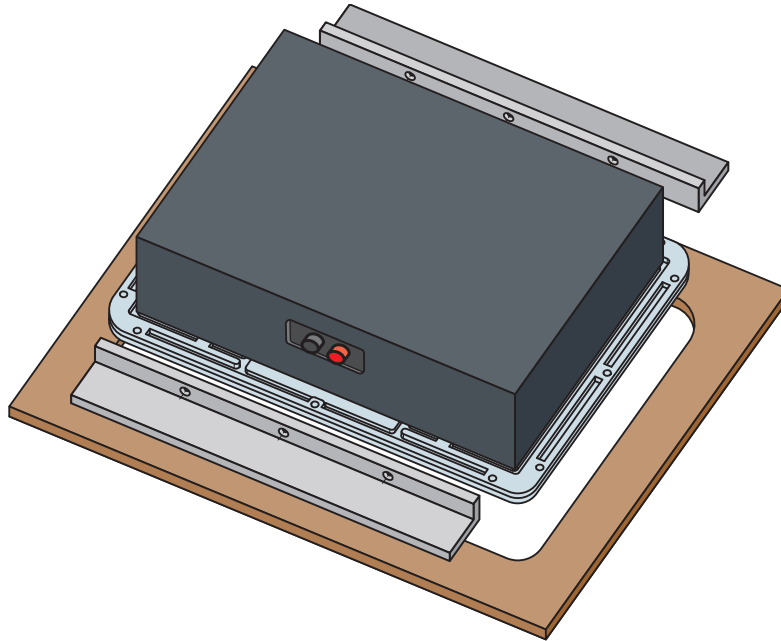


STINGRAY 8 SOFFIT SPEAKER KIT INSTALLATION



Replace speakers with rusty grills.

Use Template to cut opening.

Pre-drill holes then screw in place.

Caulk then paint for invisible installation.

The Stealth Acoustics StingRay 8™ Soffit Kit is a full-range, high-fidelity, 8" two-way outdoor soffit mounted speaker utilizing sealed-front radiator technology with no grill or other openings. The StingRay 8™ Soffit Kit features Stealth's proprietary Fidelity Glass™ radiating surface made from extremely durable and impenetrable glass fiber that resists elements like rain, sunlight or harsh temperatures, while providing full and natural sound for music or speech applications.

The StingRay 8™ Soffit Kit offers powerful advantages over traditional outdoor loudspeakers and resists dust and moisture, making it perfect for soffit applications where wide coverage, full range sound, environmental durability, and an invisible installation are required.

Offering near-hemispherical radiation throughout its full range of sound, the Stealth Acoustics StingRay 8™ Soffit Kit incorporates an acoustically coupled, high-power, 8" cone woofer and a direct coupled 30 mm neo-magnet high-frequency driver providing smooth response from 45Hz to 18 kHz. The speaker contains two independent self-resetting protection circuits (high-frequency and low-frequency sections) to protect it from excessive amplifier power.

The StingRay 8™ Soffit Kit comes primed in white and is designed to finish into the surrounding soffit and become completely invisible.

The Stealth Acoustics StingRay 8™ Soffit Kit is covered by a 5 year manufacturer's warranty.

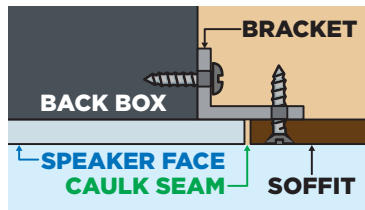
1. Locate the area of the soffit where the StingRay 8 Soffit Speaker will be installed. The use of a stud finder and pilot holes will help to identify framing and potential obstacles that may be hidden behind the soffit siding.



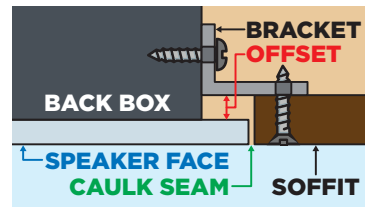
2. Position the router template in the desired installation location and attach it securely to the underside of the soffit. If using screws, be sure to counter-sink the screw heads to prevent interference with the router. The router template is designed to work with a straight, top bearing flush trim router bit and will cut an exact opening just large enough for the speaker.

3. Remove the template, prepare the speaker wiring, and clear away any dust or debris from around the inside of the opening before installing the speaker into the hole.

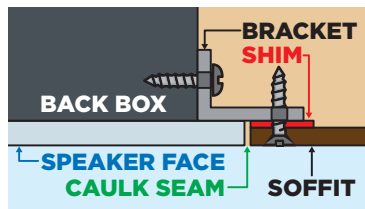
4. Two aluminum brackets are provided which will support the speaker in the opening. Before attaching the brackets to the speaker back box, measure the thickness of the surrounding soffit material and refer to the steps below for proper positioning.



- a. If the soffit material is 1/2" thick, screw the brackets to the back box flush against the rear of the speaker.



- b. If the material is thicker than 1/2", offset the aluminum brackets away from the rear of the speaker enough so the speaker will rest flush with the outer soffit.



- c. If the soffit material is less than 1/2" thick, install the brackets to the back box flush against the rear of the speaker and add shim material between the bracket and soffit as necessary.

5. Hold speaker near opening and attach the speaker wire to the speaker terminals noting proper polarity before installing into the soffit.

6. Lift the entire speaker at an angle putting one long edge into the opening far enough so the trailing bracket can clear the lip of the opening. Level the speaker, align it with the opening and lower into place. (Diagram 6A-D)

7. Check for a flush fit. Adjust aluminum brackets and/or shims as necessary.

8. Before proceeding with any finishing, test each speaker with an amplified sound source. Test with music at listening volume in addition to test tones to ensure full functionality. Make note of sound coming from high/mid, and low frequency drivers of each speaker.

9. Drill screw holes through the soffit and aluminum bracket on each long edge of the speaker before attaching in place with screws. Pilot holes are necessary to allow screws to penetrate the aluminum bracket and secure the speaker into place.

10. Apply paintable caulking to seal the perimeter of the speaker to prevent water from seeping into the soffit. Allow caulking to cure completely before painting.

11. The speaker is primed and ready to paint to match the soffit. Do not allow more than a 1/16" (2mm) buildup of any material on the speaker face.

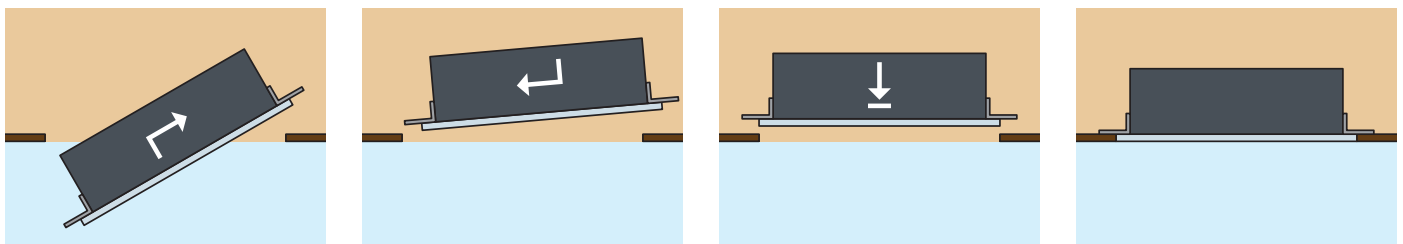


DIAGRAM 6A/B/C/D: Lift speaker at an angle far enough so the trailing bracket can clear the lip of the opening. Level the speaker, align it with the opening and lower into place.