

8" 3-WAY UNDER EVE OUTDOOR SPEAKER



The Stealth Acoustics StingRay 83 Soffit Speaker is a full-range, high-fidelity, 8" three-way outdoor speaker utilizing a sealed-front radiator technology with no grill or other openings that becomes completely invisible after installation. The speaker features Stealth's proprietary FidelityGlass™ radiating surface made from extremely durable and impenetrable glass fiber that resists elements like salt water, sunlight or harsh temperatures, while providing full and natural sound for music or speech applications.

The StingRay 83 Soffit Speaker offers powerful advantages over traditional outdoor soffit loudspeakers. The speaker is impervious to the elements, installs invisibly, and has no grille which might rust or allow dust or moisture to enter the device. These advantages make it perfect for outdoor under-eave applications where

wide coverage, full range sound, clean aesthetics, and environmental durability are required.

Offering near-hemispherical radiation throughout its full range of sound, the Stealth Acoustics StingRay 83 Soffit Speaker incorporates an acoustically coupled, high-power, 8" cone woofer, a 30 mm direct coupled neo-magnet mid-range driver and a direct coupled 25 mm neo-magnet high-frequency driver providing smooth response from 40Hz to 20 kHz. The speaker contains two independent self-resetting protection circuits (high/mid-frequency and low-frequency sections) to protect it from excessive amplifier power.

The included router template is used for cutting a precise opening for speaker installation. Then, the mounting hardware is attached and the speakers is secured

Recommended Applications:

- High Performance Outdoor Audio
- Outdoor Home Theater
- Marine Audio Systems
- Foreground Music
- Sound Masking Systems

Recommended Installations:

Flush mounted in eaves constructed of wood or steel framing with ½" (12.7 mm) or thicker siding. Minimum 4" (102 mm) internal cavity depth required.

Performance:

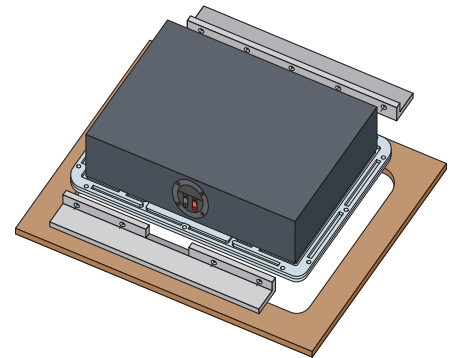
- 160 Watts RMS
- 40Hz to 20kHz (see Figure 1)
- 80W Minimum recommended power

Protection:

Two independent self-resetting circuits (high/mid and low-frequency)

On-Site Finish Options:

Finish options include latex paint, flat finish, orange peel texture, light plaster, wood veneer, and other selected approved finishes.



in place. After testing and seam finishing, the Soffit Speaker is designed be primed, painted, and finished into the surrounding soffit for a completely invisible installation.

The Soffit Speaker Kit includes (1) Soffit Speaker in matte white finish, (1) router template guide, and (2) angle brackets with screws.

The Stealth Acoustics StingRay 8 Soffit Speaker is covered by a 5 year manufacturer's warranty.

Architectural & Engineering Specifications

The outdoor loudspeaker shall be a three-way, full-range device, reproducing frequencies from 40Hz to 20kHz, without the use of external filters or equalizers. The loudspeaker shall incorporate an impenetrable sealed-front radiating panel with a minimum radiating surface area of 228 sq. in (1,471 sq. cm).

Dispersion shall be a nominal 170 degrees in both horizontal and vertical planes across the entire frequency operating range. The loudspeaker system shall incorporate an acoustically coupled, low profile, high-power 8" (203 mm) cone woofer, a direct coupled 1 1/8" (30 mm) neo-magnet mid-frequency driver, and a direct coupled 1" (25 mm) neo-magnet high-frequency driver. The loudspeaker shall have a minimum sensitivity of 83 dB, 1 watt / 1 meter, with a power-handling capacity of 160 watts RMS according to EIA standard RS-426-A.

The loudspeaker shall have two independent self-resetting protection devices, one for the high/mid-frequency drivers and one for the low-frequency driver. The loudspeaker shall measure 14 7/16" (367 mm) x 20 9/16" (522 mm) x 3 3/8" (99 mm) and shall be capable of mounting in eaves, ceilings or walls.

The Soffit Kit shall include the speaker in factory standard matte white finish, router template, and angle bracket hardware with screws to attach the bracket to the speaker.

The loudspeaker shall be the Stealth Acoustics model SR83-SK. The loudspeaker shall carry a 5 year manufacturer's warranty.

Product Specifications

Frequency Response:

40Hz to 20kHz (see Figure 1)

Power Capacity:

160 watts RMS
320 watts Peak
80 watts minimum recommended power

Protection:

Two independent self-resetting devices (low and high/mid frequency)

Sensitivity:

83 dB (1 watt / 1 meter)

Driver Components:

High-frequency: 1" (25 mm) neodymium driver
Mid-frequency: 1 1/8" (30 mm) neodymium driver
Low-frequency: 1 1/2" (38 mm) voice coil 8" (203 mm) woofer, 20 oz. (622 gr) ceramic magnet

System Impedance:

8Ω nominal

Polar Dispersion:

170 degrees vertical and horizontal

Dimensions:

Width: 14 7/16" (367 mm)
Height: 20 9/16" (522 mm)
Depth: 3 3/8" (99 mm)

Temperature Range:

Capable of full operation between 0°F (-17°C) to 150°F (60°C)

Product Weight:

31 lbs. (14 kg) each

Shipping Weight:

33 lbs. (15 kg) per single

Included Accessories:

Router Template
Mounting Brackets
Mounting Screws

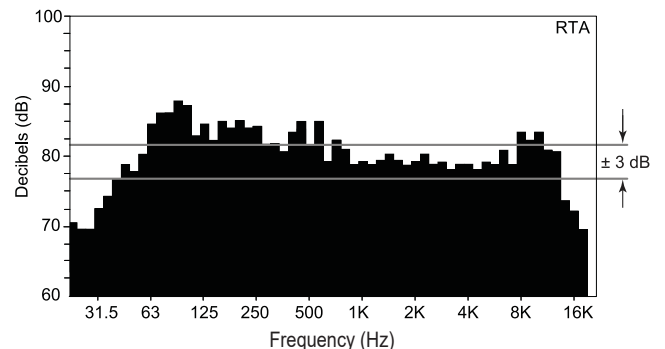
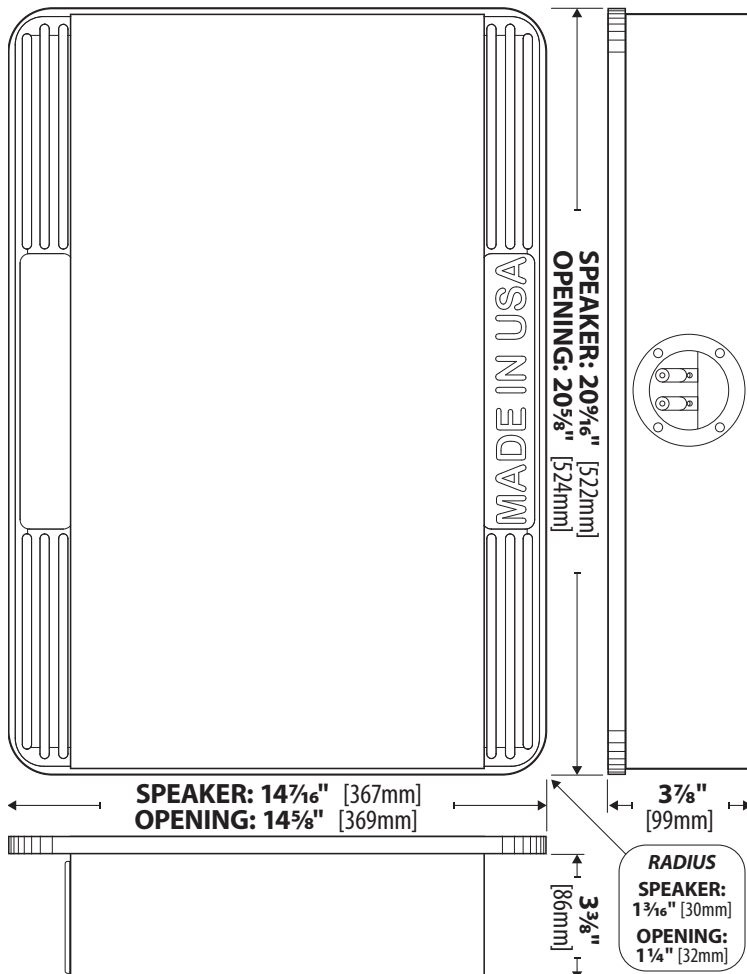


Figure 1: On-axis frequency response.